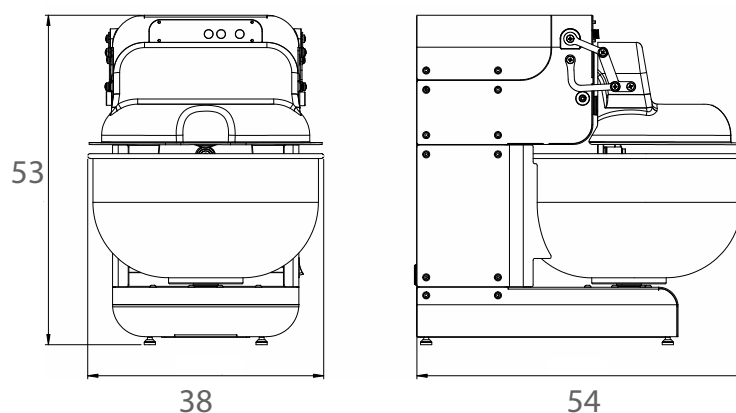
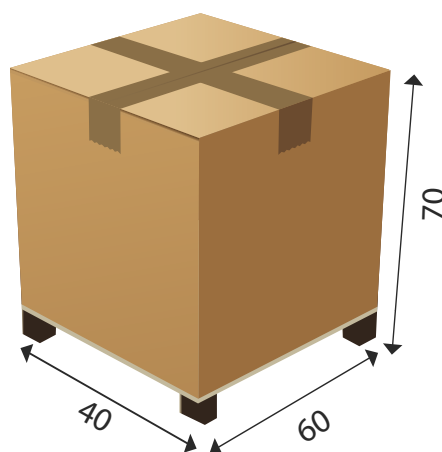


Miss Baker® PRO XL: technical data



Maximum dimensions (cm) of Miss Baker® PRO XL



Miss Baker® PRO XL	
Flour capacity	0,6 - 3,5 kg
Kneading capacity*	1 - 9 kg**
Bowl capacity	20 liters
Dimensions of bowl	Ø 36 - h 20
Voltage	230 V single-phase
Power	500 W
Speed of the arms	from 35 to 70 strokes/min
Kneading machine dimensions LxPxH (cm)	38x54x53
Dimensions with packaging LxPxH (cm)	40x60x70
Kneading machine weight / Weight with packaging	39 kg / 49 kg
Code	MS0623059

* The kneading capacity refers to a flour / liquid ratio of 1:0.6 and may vary according to the recipe

** The maximum kneading capacity refers to very hydrated doughs and for large leavened products. For hard doughs - hydration less than 55% - such as egg pasta and sourdough, reduce the maximum flour capacity by 50%.