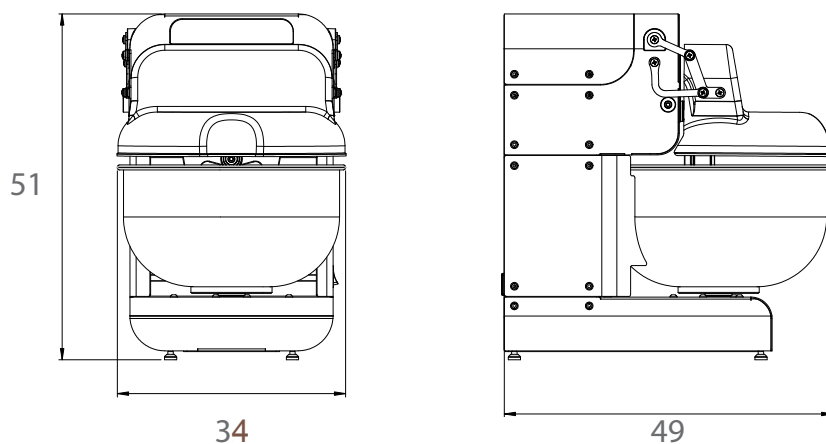
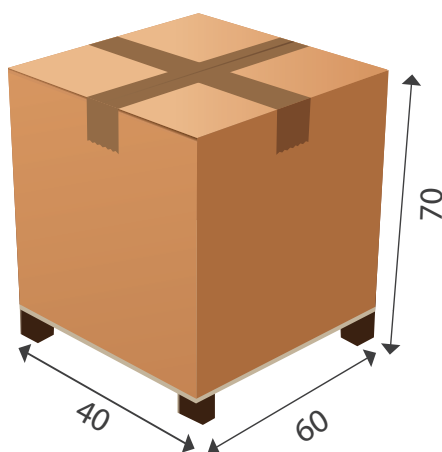


Miss Baker® Chef: technical data



Maximum dimensions (cm) of Miss Baker® Chef



Miss Baker® Chef	
Flour capacity	0,3 - 1,8 kg
Kneading capacity	0,5 - 3 kg
Bowl capacity	10 liters
Dimensions of bowl	Ø 32 - h 18
Voltage	230 V single-phase
Power	500 W
Speed of the arms	38 and 52 strokes/min
Kneading machine dimensions LxPxH (cm)	34x49x51
Dimensions with packaging LxPxH (cm)	40x60x70
Kneading machine weight / Weight with packaging	36 kg / 46 kg
Code	MS0323029