



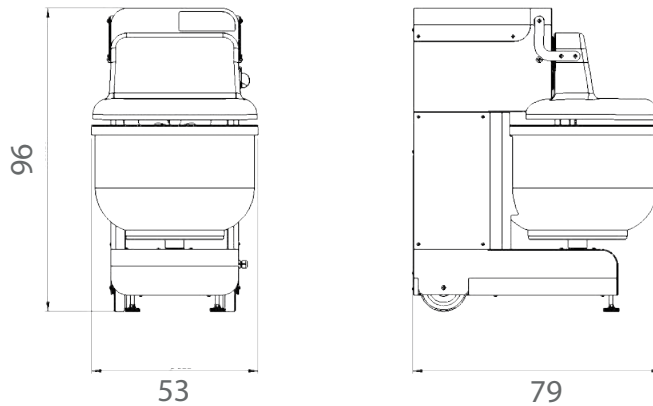
bernardi

[www.bernardimixers.com](http://www.bernardimixers.com)

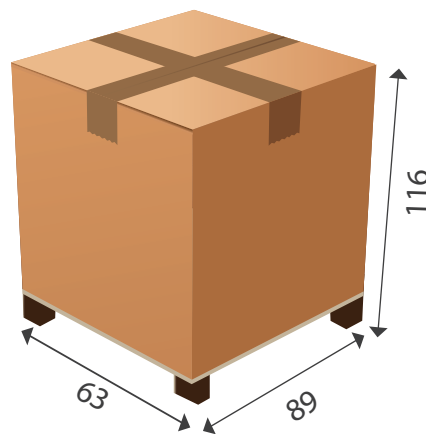


Pizzaiola

# Pizzaiola technical features



Maximum dimension of Pizzaiola in cm.



<b>Pizzaiola</b>	
Flour capacity	3 - 30 kg
Kneading capacity	5 - 48 kg
Bowl capacity	60 lt
Dimensions of bowl	Ø 50 - 34 h
Voltage	230 V single-phase
Power	1500 W
Speed of the arms (with motor driver)	35 and 55 strokes/min
Kneading machine dimensions LxPxH (cm)	53x79x96
Dimensions with packaging LxPxH (cm)	63x89x116
Kneading machine weight / Weight with packaging	145 kg / 187 kg
Code	PZ4823099